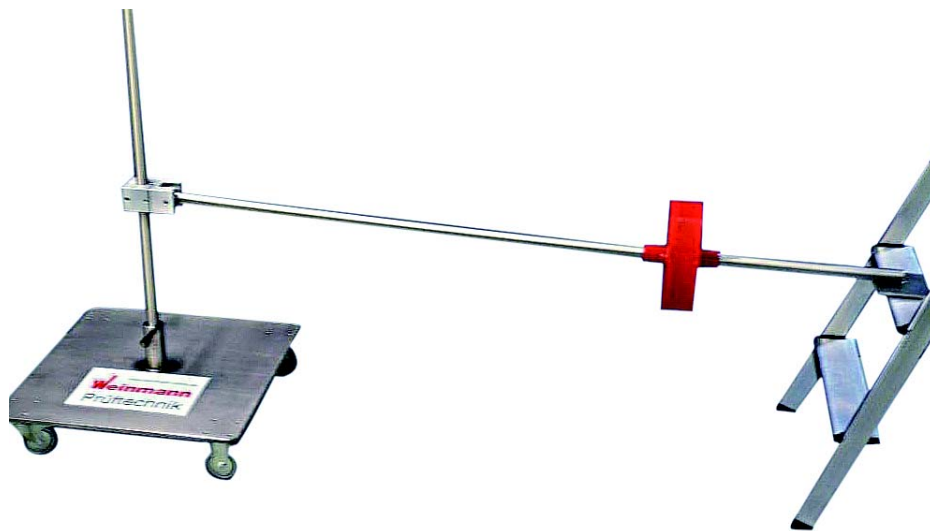


Ladder foothold impact test according to EN 747-2:2007



Key

- 1 HTS (High Tensile Steel) tube
 Outer diameter: 25
 Wall thickness: 2
 Approximate mass: 1,6 kg
- 2 Impact pad 100 x 100 x 6 Steel plate fitting
 Total mass: 0,5 kg

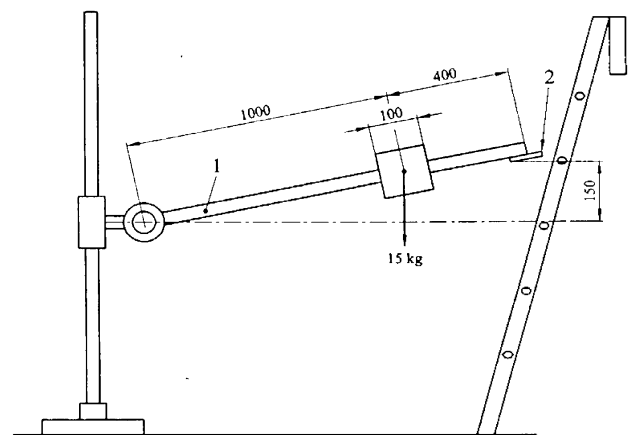


Figure 9 – Ladder foothold impact test