

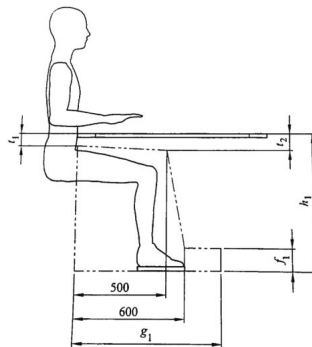
## MASTER PLATE FOR FREE SPACE UNDER TABLE EN 527

### Stencils Set, Typ A, Typ B, Typ C / D

- adjustable feet
- staff gauge
- plump line weight
- Depending on the template to be tested according to EN 527 must be Tischtyp A, B, C or D must be used.
- The Tibia edge is the measuring line on the Lotgewicht.

**SKU:** 4110

**Categories:** [Test Equipment](#), [Furniture Testings](#), [Master Plate for free space](#), [Desks / Domestic furniture](#)



Schmidt-Engineering GmbH

Ostbahnstraße 15

91217 Hersbruck

Tel: +49 9151-4232

Fax: +49 9151-3878

E-Mail: [info@weinmann-online.de](mailto:info@weinmann-online.de)

